

# An Survey : PAPR Reduction in MIMO – OFDM Technique

<sup>1</sup>M.Sherlin <sup>2</sup>P.Sridevi <sup>3</sup>K.Srimathi<sup>4</sup>M.Swathi  
1,2,3,4UG Student / ECE

1,2,3,4M.Kumarasamy College Of Engineering  
Karur-Tamilnadu

Email id:<sup>1</sup>sherlinmicheal@gmail.com <sup>2</sup>sridevijayanthib@gmail.com  
<sup>3</sup>ksrimathiece@gmail.com <sup>4</sup>swathimadasamyce@gmail.com

## ABSTRACT:

*In this sophisticated world, MIMO system with OFDM technology plays a powerful role in wireless electronic communication. It will transmit high speed knowledge in delay scattering surroundings through multicarrier modulation that reduces multipath attenuation, in order that the spectral efficiency of the whole system is exaggerated. It realize its manner in digital acoustic and video broadcasting and fourth generation cellular systems. The obstacle during this technique is high peak to average quantitative relation (PAPR) that unpropitious disturbs the complexness of power amplifiers. There are unit various modes to attenuate PAPR. In this survey, we tend to area unit about to switch views concerning selective mapping (SLM), clipping & filtering and partial transmits sequence (PTS) techniques to minimize the consequences of PAPR.*

## I. INTRODUCTION:

MIMO (multiple input, multiple output) is a good antenna technology for wireless communications during which additional input and additional output antennas are used to supply (transmitter) and therefore to the destination (receiver). The most objective of this antenna is to diminish unsought knowledge flaws and large knowledge speed. The alive technology of MIMO technique are MISO (Multiple Input and Single Output) and SIMO (single input and multiple output). The subsequent sectors are employed in the MIMO technique WI-fi, LTE; intensive amount evolution, and plenty of different radio, wireless and RF telecommunication field are handling the new MIMO wireless technology to furnish improved link capability and sensible spectral effectiveness related to increased link consistency. Recurrence division multiplexing (FDM) is a method by which the aggregate data transfer capacity accessible in a correspondence medium is isolated into a progression of non-covering recurrence sub-groups, each of which is utilized to convey a different flag. This permits a solitary transmission medium, for example, the radio range, a link or optical fiber to be shared by various free flags. Another utilization is to

convey isolate serial bits or fragments of a higher rate motion in parallel. The most regular case of recurrence division multiplexing is radio and TV broadcasting, in which various radio signs at various frequencies go through the air in the meantime. FDM is likewise utilized by phone frameworks to transmit various phone calls through high limit trunk lines, correspondences satellites to transmit different stations of information on uplink and downlink radio shafts, and broadband DSL modems to transmit a lot of PC information through turned combine phone lines, among numerous different employments. A closely resembling system called wavelength division multiplexing is utilized as a part of fiber-optic correspondence, in which various channels of information are transmitted over a solitary optical fiber utilizing diverse wavelengths (frequencies) of li

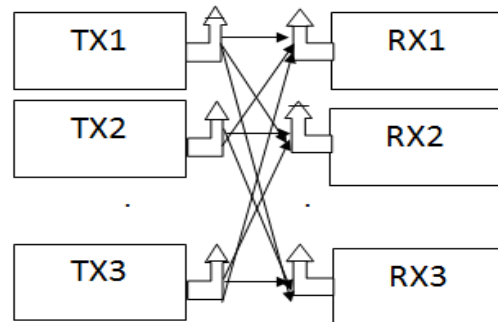


Fig 1:Block Diagram MIMO

Orthogonal Frequency Division multiplexing may be a modulation theme passed down for several of the foremost fashionable wireless and telecommunications principles. As compared to the standard frequency division multiplexing during which sub bands aren't any overlapping. The important impression of OFDM is elevated bit rate is transmitted into a lesser bit rate of carriers. Every carriers are orthogonally maintained. OFDM signal fabricate a tangled signal by multiplexing. OFDM

knowledge is initiated by taking input to serial to parallel convertor. The IFFT will fetch the obligatory spectrum to time domain and provide the carrier which are orthogonal. The FFT is that the flip over method of IFFT. It interprets the time domain signal to frequency domain and its role is to search out the distinctive transmission wave shape. High unearthy proficiency gives more information administrations. Strength to RF obstruction great execution in unregulated and controlled recurrence groups bring down multi-way mutilation works in complex indoor situations as well as at speed in vehicles. It is employed in high rate digital broadband systems like digital TV propagation, digital audio and video distribution. The primary advantage of OFDM over single-carrier schemes is its ability to deal with severe channel conditions (for example, attenuation of high frequencies in an exceedingly long copper wire, narrowband interference and frequency-selective weakening because of multipath) while not complicated effort filters. Channel effort is simplified as a result of OFDM is also viewed as exploitation several slowly modulated narrowband signals instead of one quickly modulated band signal. The low image rate makes the employment of a guard interval between symbols reasonable, creating it doable to eliminate intersymbol interference (ISI) and utilize echoes and time-spreading (on analogue TV these square measure visible as ghosting and blurring, respectively) to attain a diversity gain, i.e. a signal/noise improvement. The smorgasbord of MIMO and OFDM technology gave rise to a brand new technology referred to as MIMO-OFDM technology that delivers peak capability and knowledge output. The various knowledge streams can be transmitted at the similar time on the identical frequency by taking gain of the truth that signals can be transmitted through house bounce off objects and take multiple ways to the receiver.

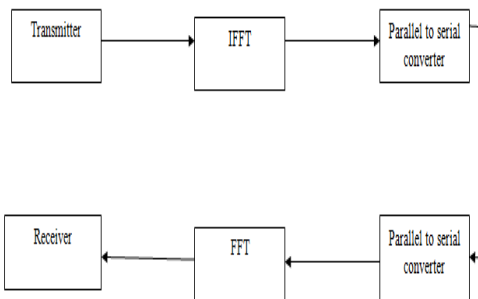


Fig 3:Block diagram of OFDM

It is performed by victimization of various antennas and precoding the info, dissimilar knowledge streams can be sent over dissimilar ways. The method needed by MIMO at prime speeds would be most convenient victimization OFDM modulation, because of OFDM converts a fast knowledge channel into variety of parallel, lower-speed channels. In OFDM system illustration, the input signals are unit modulated primarily victimization of PSK or QAM and undertake IFFT operation at the transmitter finish. The orthogonal subcarriers are unit made at the transmitter finish. These signals have high peak values in time domain and these peak values are unit referred as high peak to average power quantitative relation (PAPR) that may be are sults of summation of sine waves and non constant envelope. High PAPR increase the complexness of ADC and DAC. RF amplifiers work underneath terribly high linear region however once we pass the signal with high PAPR it will add non-linear region that results in distortion.

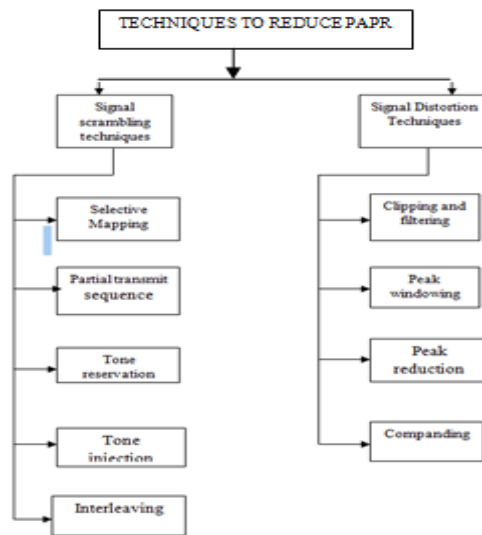


Fig 2: PAPR Reduction techniques

II. SIGNAL DISTORTION TECHNIQUES: Signal Distortion technique may be a technique that involves elimination of elevated peaks that start off over the definite height at the transmitter. This may be applied by scheming analog-to-digital-convertor and electronic equipment with saturation sure levels that are a unit lesser than the active vary. However thanks to the introduction of non linear distortion, orthogonality are destroyed which ends in severe noise. This can be removed by victimization filters the ways of signal distortion area unit

clipping and filtering, peak windowing, peak reduction and companding.

**III. SIGNAL SCRAMBLING TECHNIQUES:**  
 The first opinion of this performance is to scramble the signal with totally different scrambling sequences. Amongst them the signal with a reduced quantity of PAPR ought to be elective for transmission. In fact, this method doesn't take away the PAPR fully, however it will scale back the PAPR to a larger extent. The ways of signal scrambling square measure partial transmit sequence, selective mapping, Tone reservation, Tone injection and interleaving. Though, for triumphant revival of the signal at the receiver, any data is required. That ends up in low information measure utilization and high hardware issue for execution. In our paper we have a tendency to square measure attending to survey partial transmit sequence, selective mapping and clipping & filtering

**IV. PARTIAL TRANSMIT SEQUENCE:**  
 The PTS (Partial Transmit Sequence) procedure is prevalently used technique for PAPR diminution and therefore the perception of PTS theme will be clearly understood by its diagram. The thought of this PAPR reduction technique is addition of part rotation to create up a some signal and to pick one signal with very little PAPR. The info of a multi carrier signal gets improved by mistreatment this method. Owing to multicarrier propagation the high price of PAPR affects the system ability. Therefore there's a requirement to minimize the elevated price of PAPR.

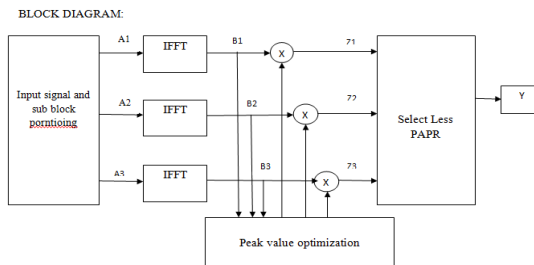


Fig 4: Block diagram of PTS Scheme

The essential proposal that lies following PTS theme is to segregate the first OFDM sequence into varied sequences and every sequence is increased by completely different weights till the most effective outcome is achieved. The PTS diagram shows that

the input file block of Y symbols portioned into displace sub blocks so the signal is transmitted ahead. The portioning of sub-blocks is one completely different issue that ought to be in use into concern because it conjointly affects the PAPR drop-off performance. The three ways of sub block portioning schemes are square measure adjacent, interleaved and pseudorandom portioning. The PTS theme varied in nature and it conjointly adds facet info Index (SII) as in SLM theme.

**V. SELECTIVE MAPPING TECHNIQUE:**  
 The Selective Mapping Technique was at the start confined down by Bamul, Fischer and Huber in 1996. It is one among the positive drop-off techniques as there is no distortion. It is a class of section rotation approaches. Phase-rotated information with depressed PAPR are most well-liked to transmit. By means that of SLM technique, key information fragmented into subordinate information blocks of length below F sequence, and this could be reworked into parallel by victimization of serial to parallel convertor. The merchandise of this parallel information blocks and the section sequences can fabricate new input info sequences. The section sequence is given as

$$K^x = (K^1, K^2, K^3, \dots, K^X) \dots \dots \dots (1)$$

Where  $x = [0, 1, 2, \dots, X]$ , to create OFDM information blocks to be section revolved. so  $S(x)$  expressed as,

$$S^{(x)} = (s_0^{(x)}, s_1^{(x)}, s_2^{(x)}, \dots, s_{M-1}^{(x)})^T$$

$$= [K_0^{(x)} s_0, K_1^{(x)} s_1, \dots, K_{M-1}^{(x)} s_{M-1}]^T$$

$$= K^{(x)} S \dots \dots \dots (2)$$

After the section rotation of information blocks, they placed on identical info because the original OFDM information block signals in frequency domain become time domain  $s^{(x)}$  by undergoing the operation of IFFT. The elemental concept lies during this technique the signal with less PAPR are going to be most popular. To select up the information at the receiver facet, the facet info index (SII) ought to be transmitted. The number of PAPR reduction for SLM depends on the amount of section sequences U and the style of the section sequences.

**VI. CLIPPING AND FILTERING:**  
 The clipping is easy technique with borderline computing quality. we have a tendency to cut back PAPR by simply clipping the excessive peaks. The pass band signal incorporates a PAPR in OFDM, thus when clipping the PAPR significantly cut back. PAPR more cut back by victimization filtering. This clipping and filtering provides smart PAPR reduction and increase signal noise immunity[5]. The performance of a modulation technique will usually be measured in terms of the desired signal-to-

noise ratio(SNR) to realize a particular bit error rate(BER)[4]. within the clipping technique planned by Wangand,Tellambura the amplitude is discontinue and phase is preserved. however this technique is limited to a particular category of modulation technique[3] .This is the strategy of clipping the high peaks of the OFDM signal before passing it through the facility electronic equipment (PA). this can be through with the assistance of clipper that limits the signal cover to the present level referred to as clipping level(CL),if the signal goes on the far side the CL; otherwise clipper passes signal with none modification.

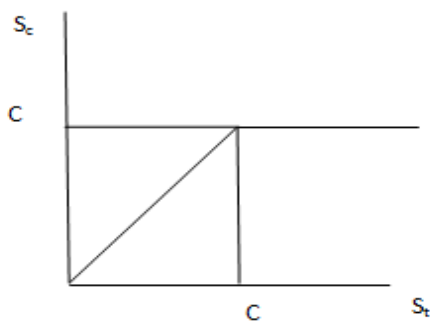


Fig 5:Graphical representation of Clipping

Clipping magnitude relation is given by: Clipping magnitude relation= $C/F$  Where C is that the amplitude and F is root mean square worth of the uncut signal. Clipping is not a linear progression which is able to cause distortion that's in band and out of band distortion.

BER performance are going to be degraded to in band distortion this may not reduced by filtering. However, this may be reduced by oversampling by taking longer IFFT, some of noise that is outside of signal band are often removed by filtering .Whereas the out of band distortion causes spectral spreading .This can be eliminated by filtering the clipped OFDM signal. This may preserve the spectral potency and the BER performance are going to be removed however it results in peak power re growth.

COMPARISON OF THREE TECHNIQUES:

TYPES	REDUCED DATA RATE	INCREASED TRANSMIT POWER	BOOSTED BER	LESS DISTORTION
PARTIAL TRANSMIT SCHEME	Y	N	Y	Y
SELECTIVE MAPPING	Y	N	Y	Y
CLIPPING AND FILTERING	N	N	N	N

Tab 1:Comparison of PAPR reduction techniques

## REFERENCES

- [1] M. F. Naeiny and F. Marvasti. "Selected mapping algorithm for PAPR reduction of space-frequency coded OFDM systems without side information," IEEE Trans. On Vehicular Technology, vol. 60, no. 3 ,March 2011.
- [2] L. Yang, R. S. Chen, Y. M. Siu, and K. K. Soo , "PAPR reduction of an OFDM signal By use of PTS With low computational Complexity,"IEEE Transaction on Broadcasting, Vol. 52, No. 1, March 2006.
- [3] S. H. Muller, R. W. B'auuml, R. F. H. Fisher and J. B. Huber, "OFDM With Reduced peak-to-average power Ratio by Multiple signals. Representation," Annals of Telecommunications, vol. 52, Feb. 1997.
- [4] R.Gayathri, V.Sangeetha, S.Prabha, .Meenakshi, N.R.Raajan," PAPR Reduction in OFDM Using Partial Transmit Sequence (PTS)", International Journal of Engineering and Technology (IJET)
- [5] Research Article"PartialTransmi Sequences for Peak-to-Average Power atio Reduction in Multiantenna OFDM" EURASIP Journal on Wireless Communications and Networking Volume 2008, Article ID 325829P.
- [6] KokilDhiman, TarunGulati," PAPR Reduction in OFDM Systems" International Journal of Engineering Research & Technology (IJERT)Vol. 1 Issu e 6, August – 2012
- [7] Dr.P.Malathi, Dr.P.T.Vanathi" Peak to Average Power Ratio (PAPR) Reduction Techniques for OFDM-MIMO System"Peak to Average Power Ratio (PAPR) Reduction Techniques for OFDM- MIMO System.
- [8] IEEE COMMUNICATIONS LETTERS,VOL. 4,No. 3, march 2000, khalidanoori, samiahmedhaider" a layered MIMO OFDM system with channel equalization "Journal of Digital Information Management
- [9] Sen-Hung Wang, Student Member, IEEE, And Chih- Peng Li "A Low-Complexity PAPR Reduction Scheme for SFBC MIMO-OFDM SYSTEMS" IEEE signal Processing Letters, vol.16,no. 11, November 2009
- [10] Heung-GyoonRyu and Kyoung-Jae Youn "A New PAPR reduction Scheme: SPW sub block phase Weighting"seungheThan,"an overview of peak- to-average

power ratio reduction techniques for multicarrier transmission”

- [11] MalharChauhan, Saurabhpatel, Hardikpatel “Different Techniques to Reduce the PAPR in OFDM System “International Journal of Engineering Research and Applications (IJERA),Vol.2, Issue 3, May- Jun 2012, pp.1292-1294
- [12] Seungheehan, Stanford university jaehong lee, Seoul national university “an overview of peak-to-average power ratio reduction techniques for multicarrier transmission” *ieee wireless communications* april 2005
- [13] HyunseukYoo, Associate Member, IEEE Frederic Guilloud, Member, IEEE,and Ramesh Pyndiah “LowComplexity Partial Selected Mapping for PAPR Reduction of OFDM System”” *ieee wireless communications* april 2005
- [14] Jung-Chieh Chen, *Member, IEEE* “Partial Transmit Sequences for Peak-to-Average Power Ratio Reduction of OFDM Signals With the Cross-Entropy Method” *IEEE SIGNAL PROCESSING LETTERS*, VOL. 16, NO. 6, JUNE 2009
- [15] Honglei Zhang, *Student Member, IEEE*, and Dennis L. Goeckel, *Senior Member, IEEE*” Peak Power Reduction in Closed-Loop MIMO-OFDM Systems via ModeReservation” *IEEE COMMUNICATIONS LETTERS*, VOL. 11, NO. 7, JULY 2007
- [16] K.Sathananthan and C. Tellambura “Reducing Intercarrier Interference in OFDM Systems by Partial TransmitSequence and Selected Mapping” *IEEE wireless communications*.
- [17] P.Ramakrishnan,P.T.Sivagurunathan“MIMO-OFDM Wireless CommunicationsReduce The PAPR Technique”, *International Journalof Advanced Research Trends in Engineering and Technology(IJARTET)* vol. 3, Special Issue 7, January 2016”.
- [18] P.Ramakrishnan,”Survey Paper on PAPR Reduction in MIMO-OFDM Systems “*International Journal of Applied Engineering Research (IJAER)* Vol.10 Special issue.20 March 2015(Annexure II).
- [19] P.Ramakrishnan,P.T.Sivagurunathan,”Reduce the Peak Power in wireless System “*Journal of Advances in chemistry(JAC)* (Annexure I) Volume 12 Number14 Nov 2016
- [20] Sivaranjani, P.T.Sivagurnathan, P.Ramakrishnan,”A Framework For Conserving Power In MANETS “*Journal of Advances in chemistry(JAC)* (Annexure I) Volume 12 Number14 Nov 2016
- [21] S.PalanivelRajan, “Review and Investigations on Future Research Directions of Mobile Based Tele care System for Cardiac Surveillance”, *Journal of Applied Research and Technology*, Vol.13, Issue 4, pp.454-460, 2015.
- [22] A.Sridevi, G.K.D.Prasannavenkatesan, “A Survey of PAPR Reduction in OFDM Signals”, *Journal of Advances in Chemistry*, Vol.12, Issue 23, pp.5478-5483, 2016.
- [23] V.Kavitha, C.Veeralakshmi, “Surveillance on Many casting Over Optical Burst Switching Networks under Secure Sparse Regeneration”, *Journal of Electronics and Communication Engineering*, Vol. 4, Issue 6, pp.1-8, 2013.
- [24] R.Renuka, V.Kavitha, “A Performance Analysis of Load Balanced Deflection Routing with Priority Scheduling in OBS Networks”, *International Journal of Engineering, Science and Technology*, Vol. 5, Issue 4, pp.7-13, 2013.