

ECE

Department of
**ELECTRONICS &
COMMUNICATION
ENGINEERING**



Inside the issue

- About the department
- Department Activities
- Movie Time

Editorial Board

Faculty Members

Ms.D.Ragavi, AP/ECE

Mr.M.Prabhakaran, AP/ECE

Students

K.Sunil Prasad, III ECE

K.Nandhini, III ECE

R.Sudhan, II ECE

The Department of Electronics and Communication Engineering was established in the year 2007. The department has an intake of 60 students in B.E. course. The department possesses the most advanced equipment in its laboratories. It also provides opportunities to grow and excel in the technical world by conducting regular workshops and programs in various fields. The department is highly active in research work in the fields of broadband communications, VLSI Design, image processing etc. The students are provided adequate training in the field of signal processing, image processing and digital communication. Students are highly motivated to attend in-plant training in some of the most prestigious organizations during their time with the institution.

Vision of the Department:

1. To provide the quality education in the field of Electronics and Communication Engineering which caters the needs of the society in line with the technological revolution.

Mission of the Department:

1. To upgrade the technical knowledge of the students continuously by providing industrial exposure and innovative projects.
2. To establish a creative learning environment for the students by active learning of the techniques in the electronics and communication engineering field.
3. To nurture career improvement by facilitating skill development and training in the recent technologies.

PROGRAM EDUCATIONAL OBJECTIVES (PEOs)

PEO1: To provide the students with a strong foundation in the required sciences in order to pursue studies in Electronics and Communication Engineering.

PEO2: To gain adequate knowledge to become good professional in electronic and communication engineering associated industries, higher education and research.

PEO3: To develop attitude in lifelong learning, applying and adapting new ideas and technologies as their field evolves.

PEO4: To prepare students to critically analyze existing literature in an area of specialization and ethically develop innovative and research oriented methodologies to solve the problems identified.

PEO5: To inculcate in the students a professional and ethical attitude and an ability to visualize the engineering issues in a broader social context.

PROGRAM SPECIFIC OUTCOMES (PSOs)

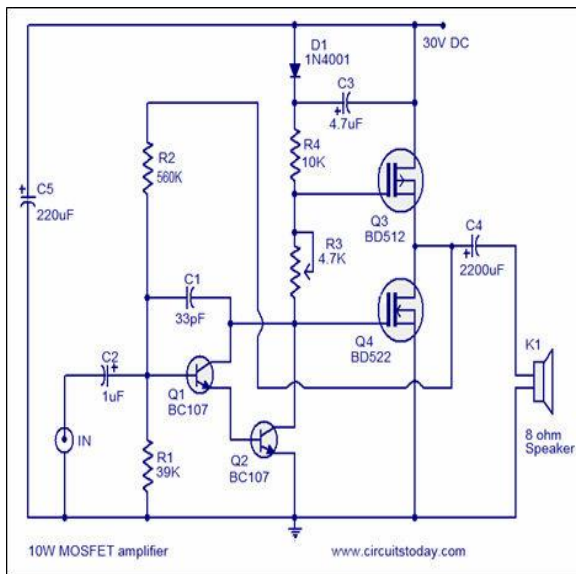
PSO1: Design, develop and analyze electronic systems through application of relevant electronics, mathematics and engineering principles

PSO2: Design, develop and analyze communication systems through application of fundamentals from communication principles, signal processing, and RF System Design & Electromagnetism.

PSO3: Adapt to emerging electronics and communication technologies and develop innovative solutions for existing and newer problems.

DEPARTMENT ACTIVITIES

A technical activity titled “Design of MOSFET Amplifier” was conducted on 12.04.2022 for II-year ECE students to provide hands-on experience in designing electronic circuits.



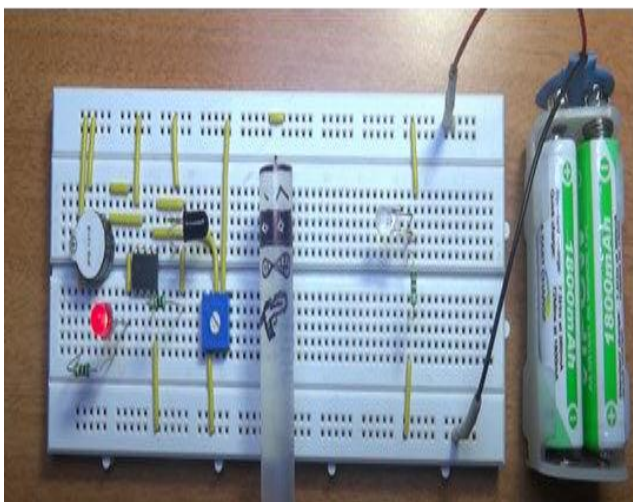
A technical activity titled “IEEE Journal Paper Review” was organized on 13.04.2022 for III-year ECE students to raise interest in research and publishing papers in journals.



A session titled “Chitchat with Alumna” on Microsoft Power Platform was organized for II, III, and IV-year ECE students on 23.04.2022. Ms. Aishwarya Nageshwaran, our esteemed alumna, shared her experiences and insights on Microsoft Power Platform and its key components.



A technical activity titled “Design of Invisible Burglar Alarm” was conducted for II-year ECE students on 09.05.2022. This activity helped students understand the working principle of a burglar alarm system.



MOVIE TIME

The Department of ECE screened the movie “The Pursuit of Happiness” on 29.04.2022 to inspire students to stay focused on their dreams and aspirations.





Chettinad

College of Engineering & Technology

Approved by AICTE-New Delhi and Affiliated to Anna University-Chennai.

NH-67, Karur-Trichy Highway, Puliyur CF, Karur, Tamil Nadu – 639114.

93450 02630, 93607 02630

principalccet@chettinadtech.ac.in

www.chettinadtech.ac.in